

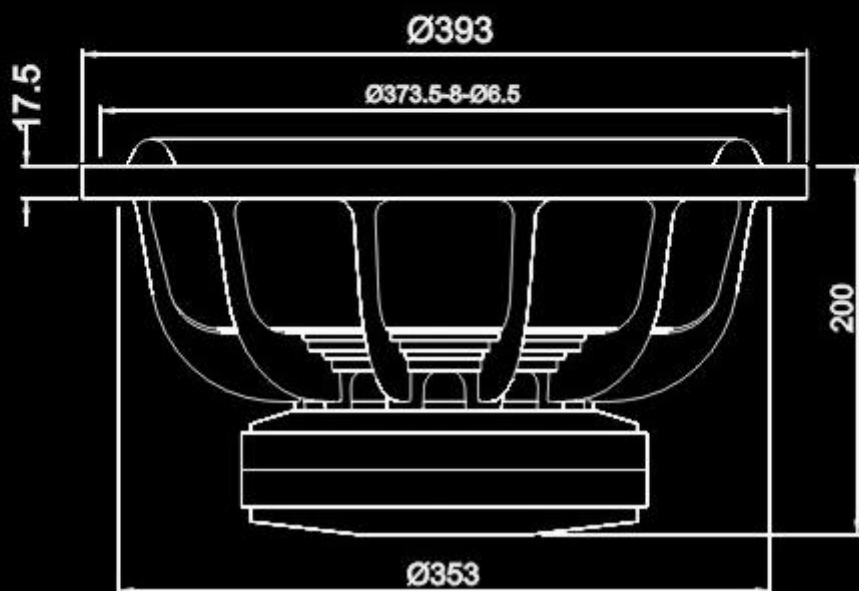
B²

AUD10

HS15"

Dual 2 Ohm Subwoofer

Dual 2 Ohm Subwoofer



HS 15"	
Sensitivity:	93 dB
Powerhandling:	1500 Wrms
X-Max:	33mm
Vas:	98.4 L
Fs:	31.3 Hz
Qts:	0.40
Nominal impedance:	2 x 2 ohm

Box Suggestions

Sealed, from: 49 -> 96 L

Vented: 74 L

Port dia: 10 Cm \times 2

Port length: 36 Cm

F-3 dB: 40 Hz

For box suggestions other than these, please contact your dealer or
send your request to tech support: bm@b2-audio.com

Better Bass

WWW.B2-AUDIO.COM